

# 400D Series Wall-mount Network Cabinet

## 19 inch Wall Mount Rack



## Product feature

### Standard

Accord with IEC297-2, GB/T4208-2017, GB4943.1-2011, JB/T 10216-2013 Standard;

### Key Features

- Flat pack can be save the shipping fees and storage cost;
- Standing floor and wall mount type available, can be install caster wheels, reserved the mounting holes and wall mounting holes, use 4 expansion screws for installation;
- Cable entry on the top, bottom and rear side which is convenient installation of cables, which facilitates mounting of non-standard devices;
- Side panels can be removable, easy-to-install and wiring structural;
- There has 1 vent space on the top to provide much better airflow and cooling

### IP rating

IP20

### Specification

- Equipment implementation compliant with 19" RACK standard, Install holes spacing 465mm, vertical beam spacing 450mm;
- RAL9004 Black & RAL 7035 Light grey, other colors can be customized;
- Glass front door, other style can be customized;
- Panels thickness 0.6mm, vertical beam thickness 0.8mm, other thickness can be customized;
- Cooling fans hole spacing 105mm;
- The hole diameter of caster wheels and wall mount are 10mm;
- Capacity  $\geq$ 50kg.

## Parts view



Glass front door



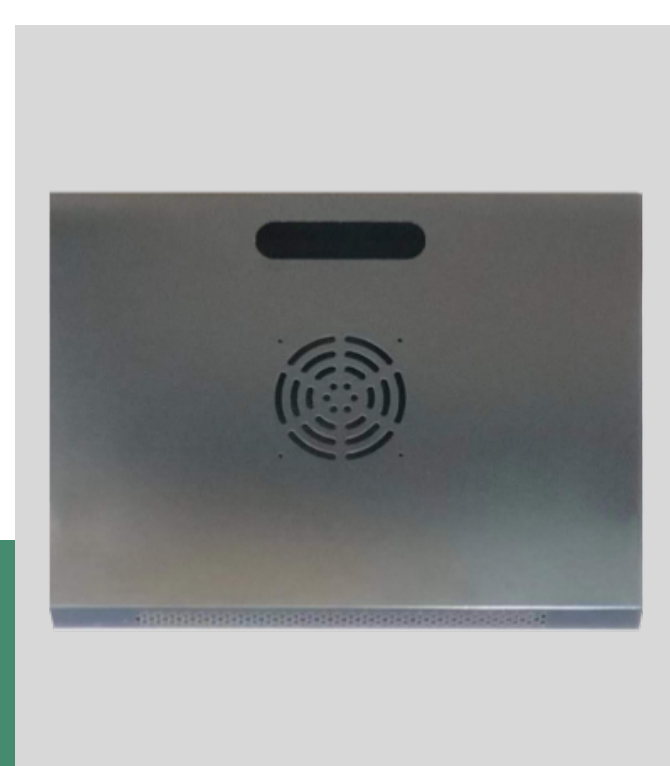
Rear panel



Side panel



Trays and vertical beams

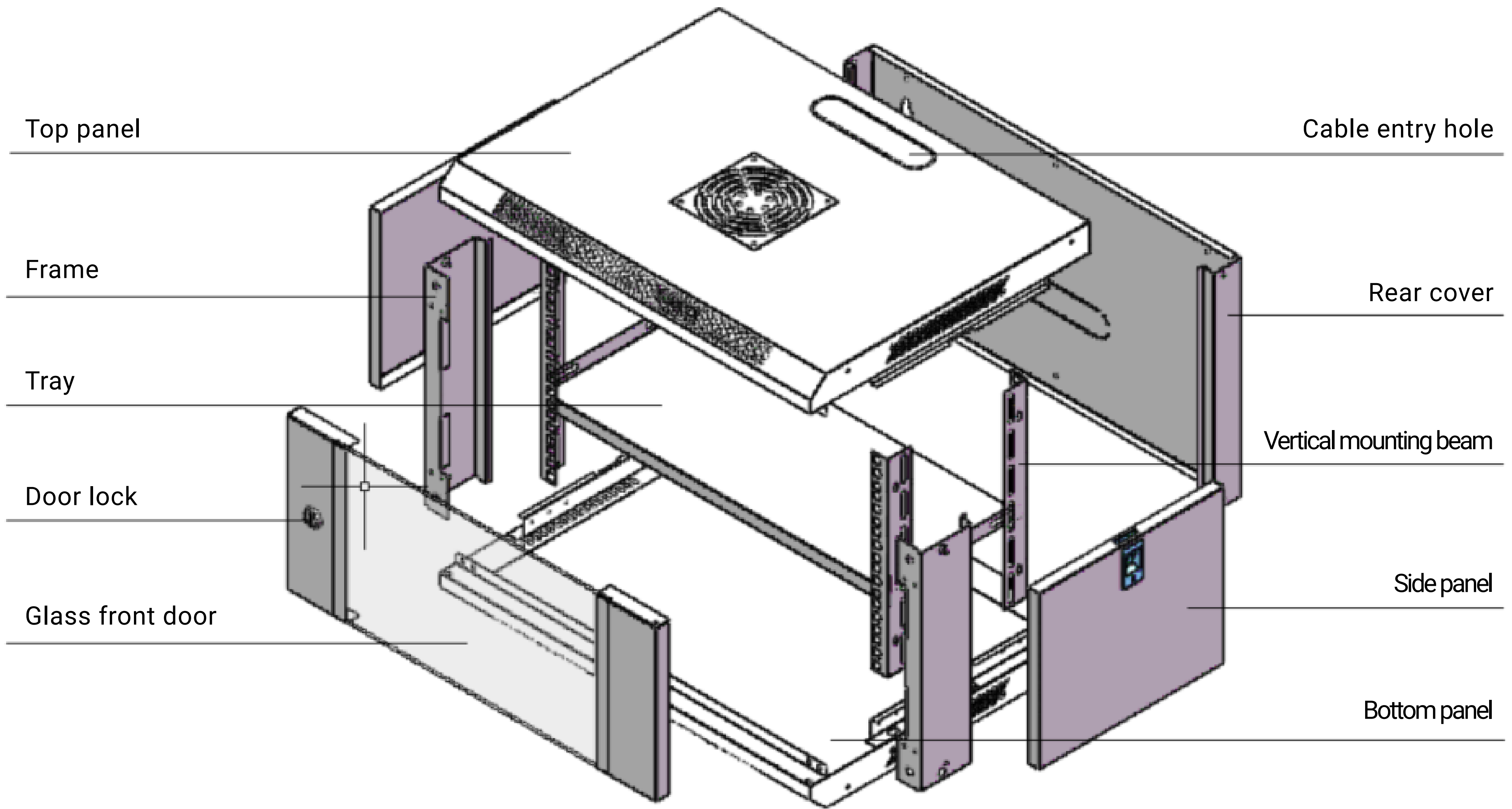


Top panel

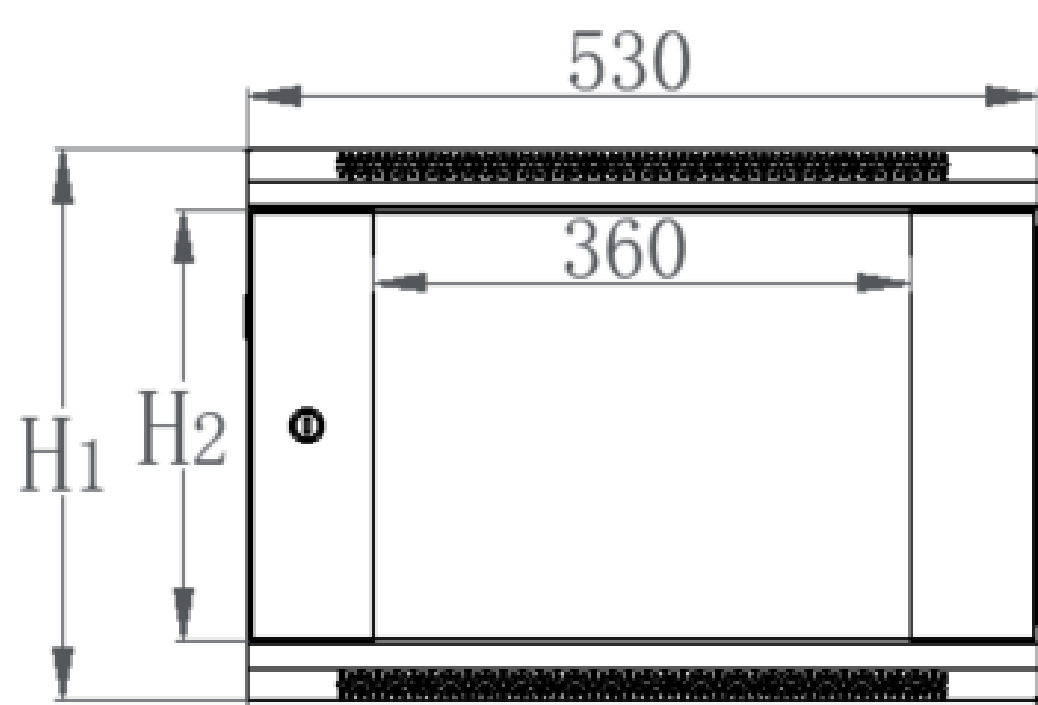


Bottom panel

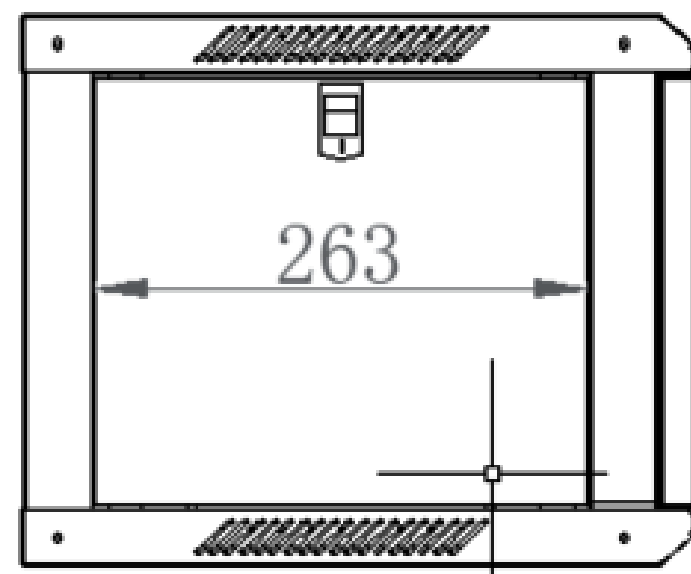
## Exploded View



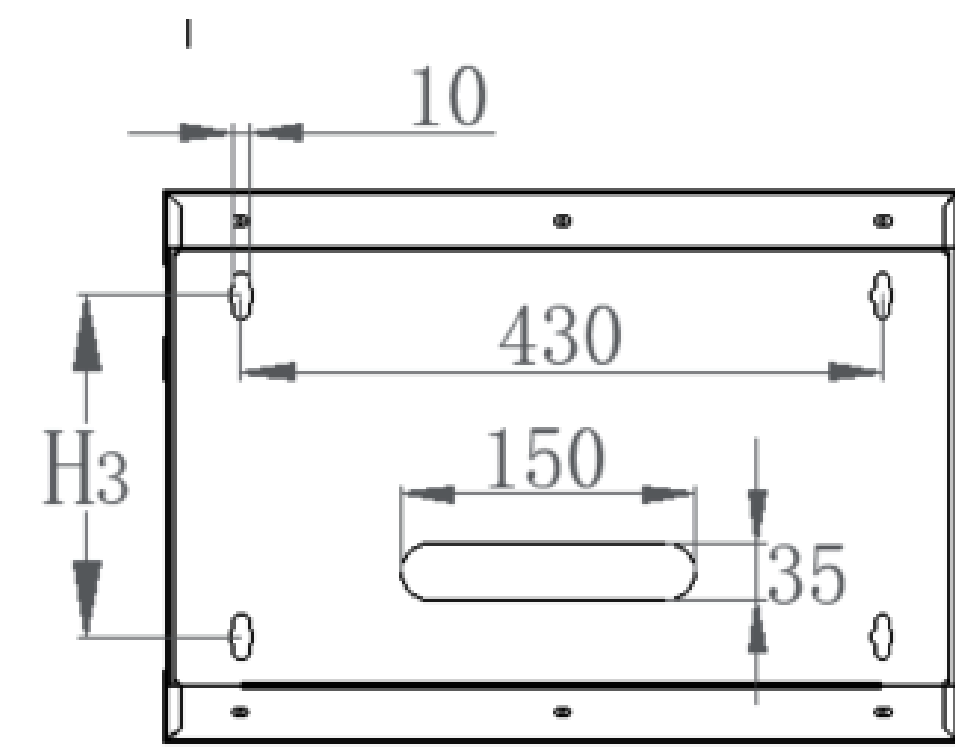
## Sectional Views



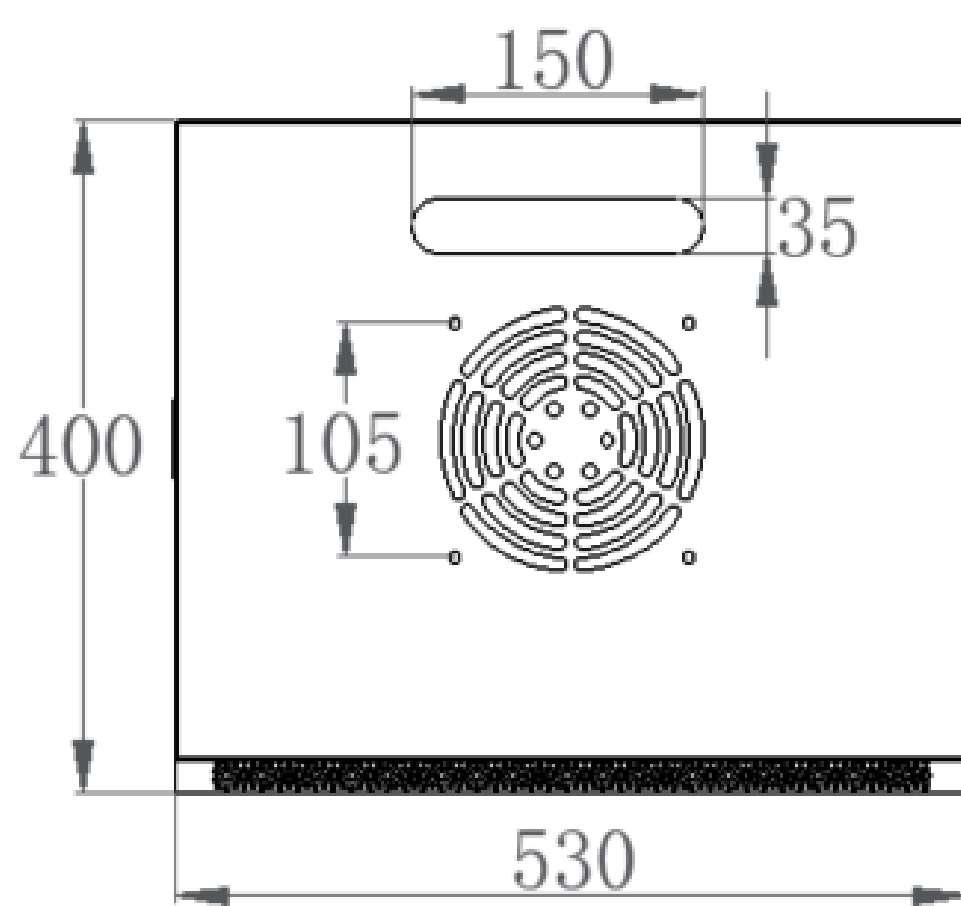
Front View



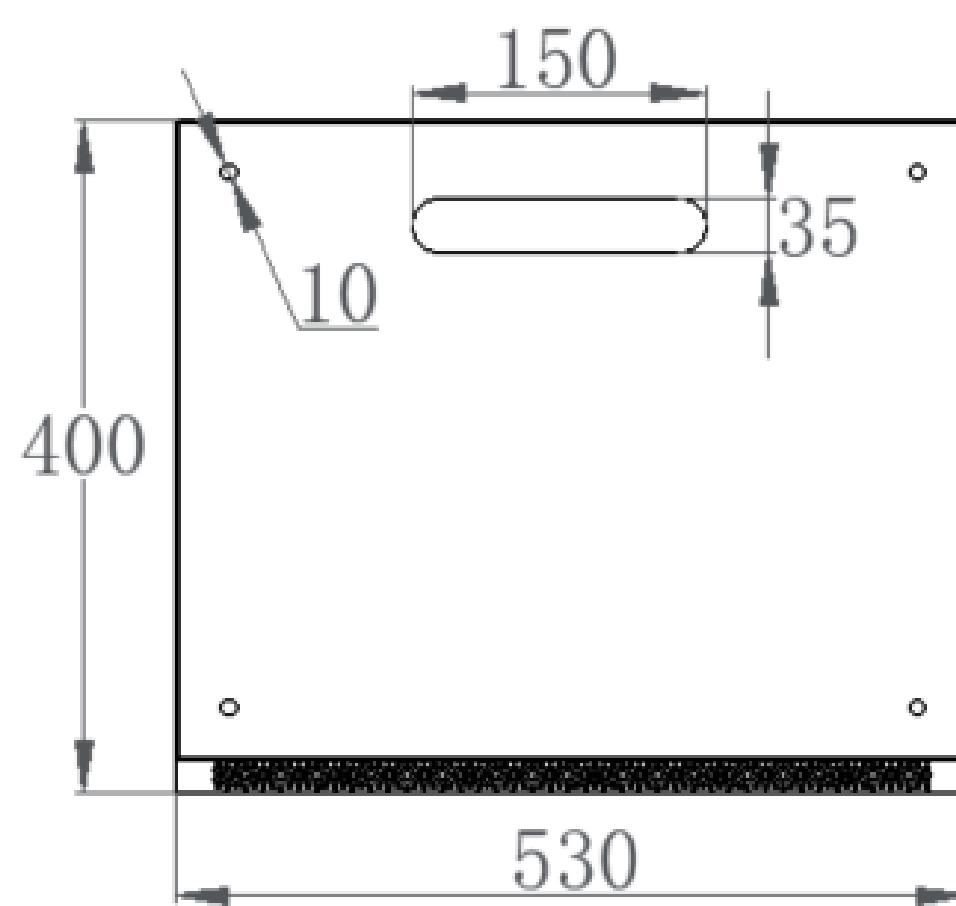
Side View



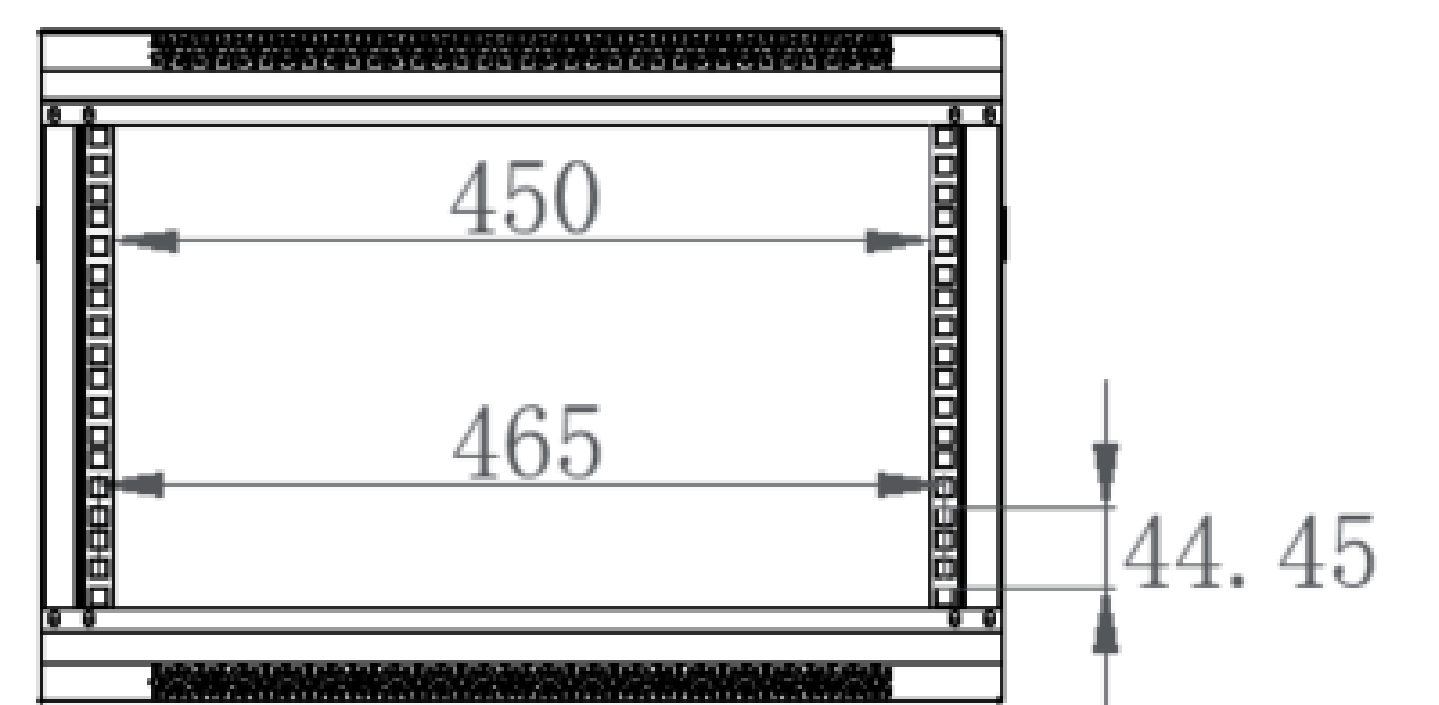
Rear View



Plan view



Bottom view



Front View (without front door)

## Accessories

No.	Key Parts	Quantity	Unit	Material	Surface treatment	Remark
01	Top panel	1	Piece	Thickness $\geq 0.6\text{mm}$ ,SPCC Cold Rolled Steel Panels	Electrostatic powder coating	
02	Bottom panel	1	Piece	Thickness $\geq 0.6\text{mm}$ ,SPCC Cold Rolled Steel Panels	Electrostatic powder coating	
03	Side panel	2	Piece	Thickness $\geq 0.6\text{mm}$ ,SPCC Cold Rolled Steel Panels	Electrostatic powder coating	
04	Frame	2	Piece	Thickness $\geq 0.6\text{mm}$ ,SPCC Cold Rolled Steel Panels	Electrostatic powder coating	
05	Rear Cover	1	Piece	Thickness $\geq 0.6\text{mm}$ ,SPCC Cold Rolled Steel Panels	Electrostatic powder coating	
06	Front door	1	Piece	$\geq 5\text{mm}$ tempered glass	Electrostatic powder coating	Or mesh door
07	Vertical mounting beam	4	Piece	Thickness $\geq 0.8\text{mm}$ ,SPCC Cold Rolled Steel Panels	galvanized	
08	Tray	1	Piece	Thickness $\geq 0.6\text{mm}$ ,SPCC Cold Rolled Steel Panels	Electrostatic powder coating	
09	Front door lock	1	Piece	Metal plate	galvanized	Included 2 keys
10	Caster wheels	4	Piece	plastic		Only used for 12U
11	network cabinet mounting screws	30	Piece	Metal plate	Paint spraying,black	
12	caster wheels mounting screws	4	Piece	Metal plate	Galvanized processing,sliver	Only used for 12U
13	Tray mounting screws	4	Piece	Metal plate	Galvanized processing,sliver	
14	Equipment mounting screws	4	Piece	Metal plate	Galvanized processing	

## Specification

Part Number Information	U size	Dimensions(H*W*Dmm)
ML6404S	4U	200 * 530 * 400
ML6406S	6U	300 * 530 * 400
ML6409S	9U	450 * 530 * 400
ML6412S	12U	600 * 530 * 400

## Color

