

450D Series Wall-mount Network Cabinet

19 inch Wall Mount Rack



Product feature

Standard

Accord with IEC297-2, GB/T4208-2017, GB4943.1-2011, JB/T 10216-2013 Standard;

Key Features

- Flat pack can be save the shipping fees and storage cost;
- Standing floor and wall mount type available, can be install caster wheels, reserved the mounting holes and wall mounting holes, use 4 expansion screws for installation;
- Cable entry on the top, bottom and rear side which is convenient installation of cables, which facilitates mounting of non-standard devices;
- Side panels can be removable, easy-to-install and wiring structural;
- There has 1 vent space on the top to provide much better airflow and cooling

IP rating

IP20

Specification

- Equipment implementation compliant with 19" RACK standard, Install holes spacing 465mm, vertical beam spacing 450mm;
- RAL9004 Black & RAL 7035 Light grey, other colors can be customized;
- Glass front door, other style can be customized;
- Panels thickness 0.9mm, vertical beam thickness 1.5mm, other thickness can be customized;
- Cooling fans hole spacing 105mm;
- The hole diameter of caster wheels and wall mount are 10mm;
- capacity ≥ 60 kg

Parts view



Glass front door

Rear panel

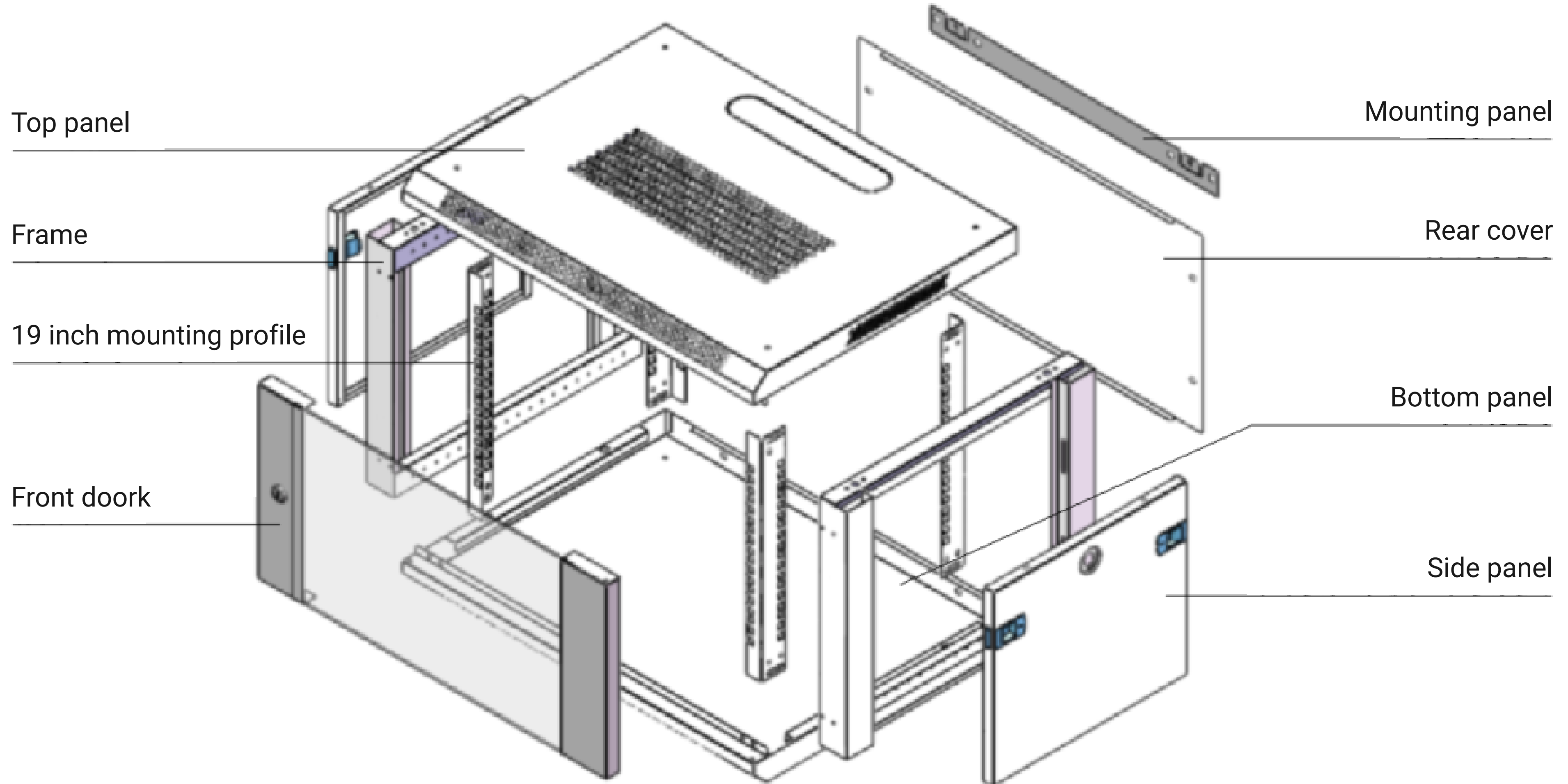
Side panel

Trays and vertical beams

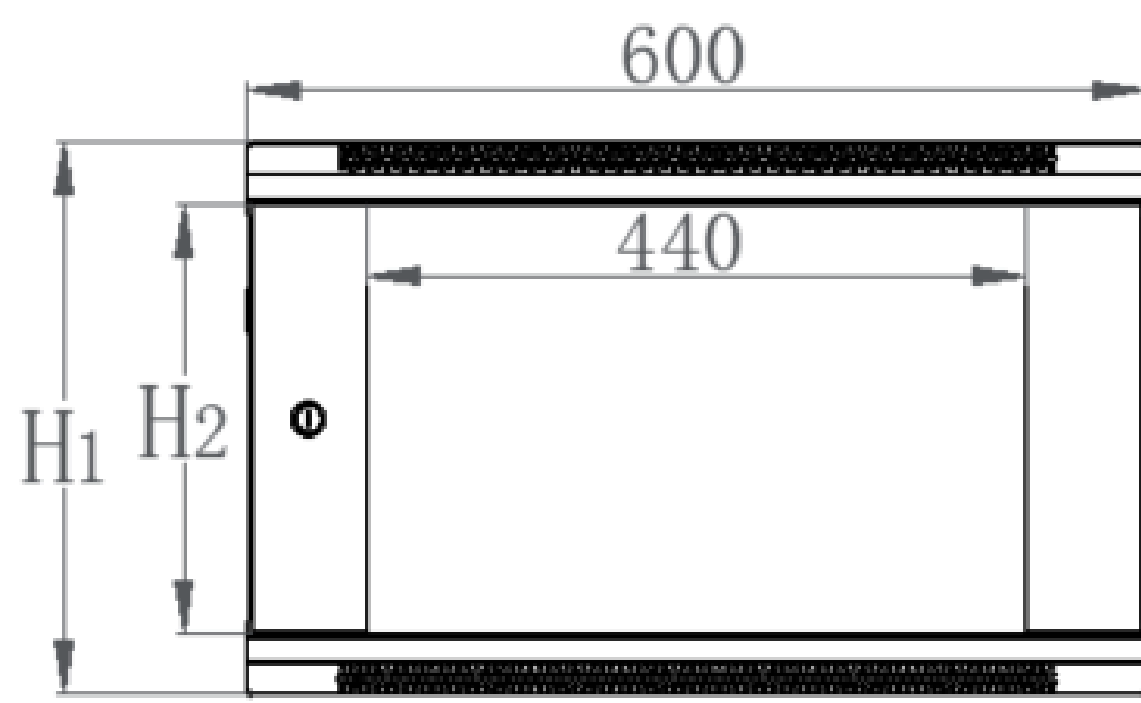
Top panel

Bottom panel

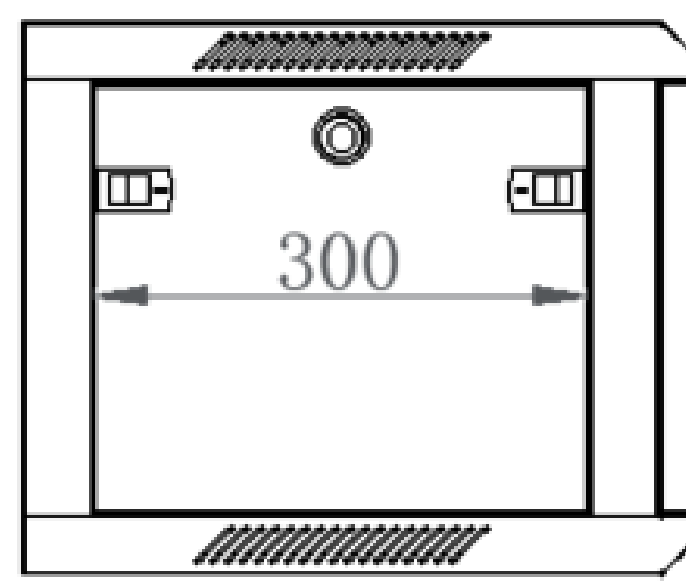
Exploded View



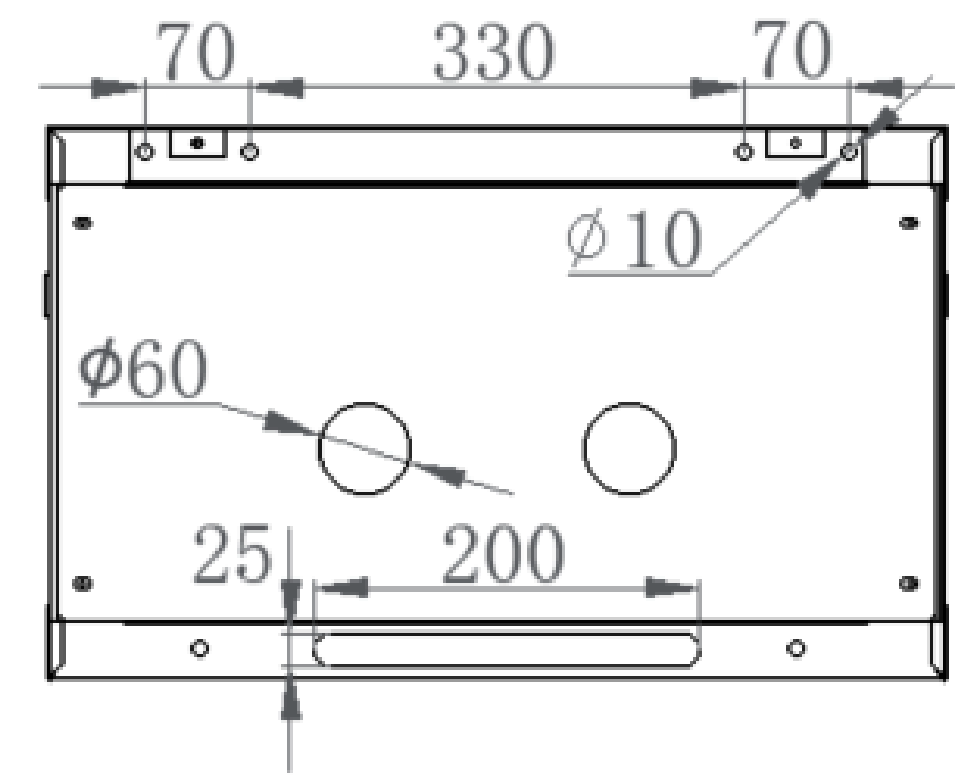
Sectional Views



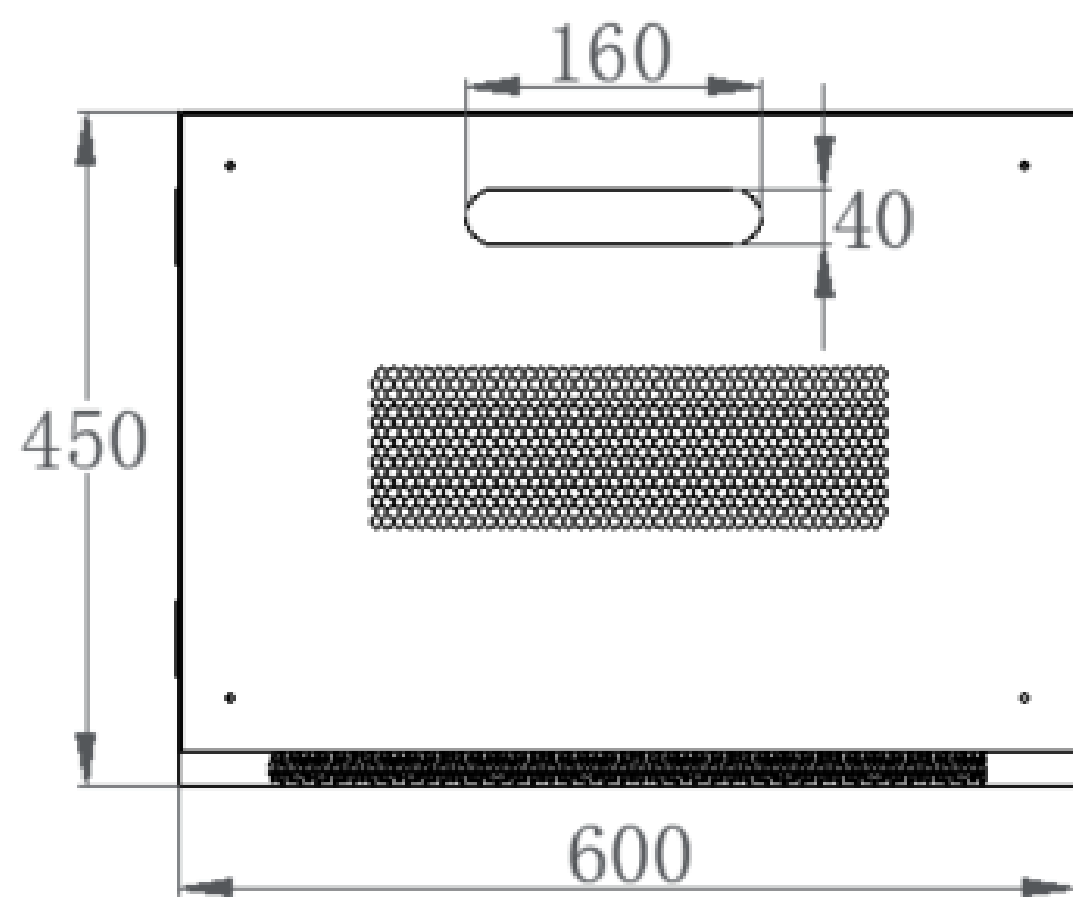
Front View



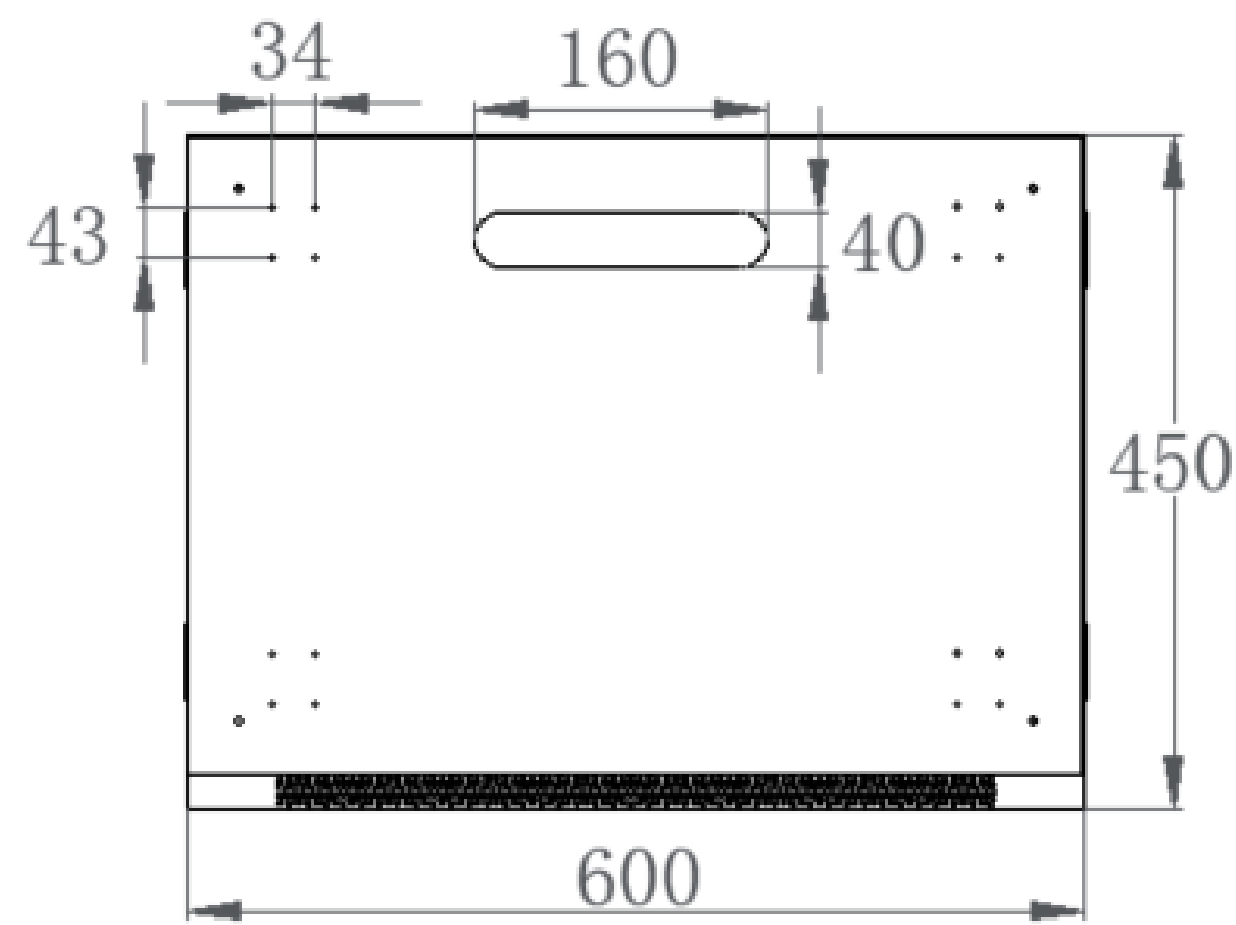
Side View



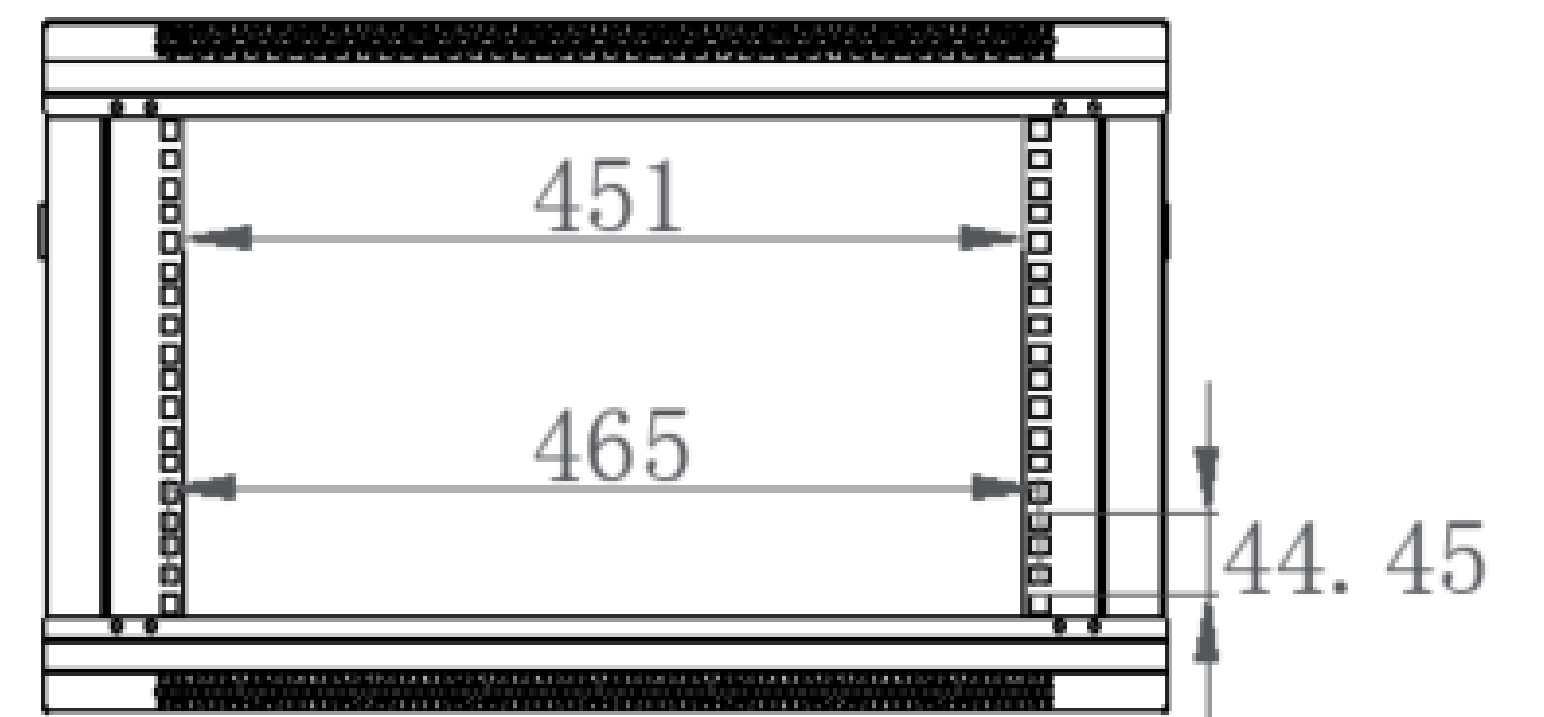
Rear View



Plan view



Bottom view



Front View (without front door)

Accessories

No.	Key Parts	Quantity	Unit	Material	Surface treatment	Remark
1	Top panel	1	Piece	Thickness ≥0.9mm,SPCC Cold Rolled Steel Panels	Electrostatic powder coating	
2	Bottom panel	1	Piece	Thickness ≥0.9mm,SPCC Cold Rolled Steel Panels	Electrostatic powder coating	
3	Side panel	2	Piece	Thickness ≥0.9mm,SPCC Cold Rolled Steel Panels	Electrostatic powder coating	
4	Frame	2	Piece	Thickness ≥0.9mm,SPCC Cold Rolled Steel Panels	Electrostatic powder coating	
5	Rear Cover	1	Piece	Thickness ≥0.9mm,SPCC Cold Rolled Steel Panels	Electrostatic powder coating	
6	Front door	1	Piece	≥5mm tempered glass	Electrostatic powder coating	Or mesh door
7	Vertical mounting beam	4	Piece	Thickness ≥1.5mm,SPCC Cold Rolled Steel Panels	galvanized	
8	Mounting panel	1	Piece	Thickness ≥1.5mm,SPCC Cold Rolled Steel Panels	galvanized	
9	Tray	1	Piece	Thickness ≥0.9mm,SPCC Cold Rolled Steel Panels	Electrostatic powder coating	
10	Front door lock	1	Piece	Metal plate	galvanized	Included 2 keys
11	Caster wheels	4	Piece	Metal plate	galvanized	Only used for ≥12U
12	network cabinet mounting screws	30	Piece	Metal plate	Galvanized processing,sliver	Only used for <12U
13	network cabinet mounting screws	46	Piece	Metal plate	Galvanized processing,sliver	Only used for ≥12U
14	Tray mounting screws	4	Piece	Metal plate	Galvanized processing,sliver	
15	Equipment mounting screws	10	Piece	Metal plate	Galvanized processing,	

Specification

Part Number Information	U size	Dimensions(H*W*Dmm)
MT6404S	4	270*600*450
MT6406S	6	350*600*450
MT6409S	9	500*600*450
MT6412S	12	640*600*450
MT6415S	15	800*600*450
MT6418S	18	1000*600*450
MT6422S	22	1200*600*450

Color

